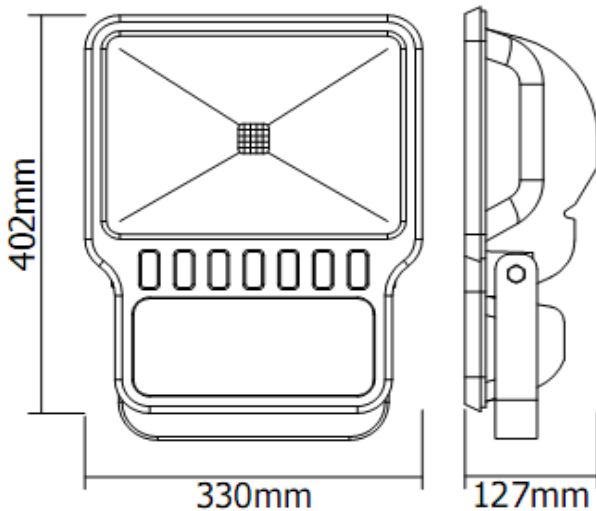


100W flood light SKU: EL-FLA1001



Replaces up to 250W Metal Halide
Input Voltage: 100V~277V AC, 50/60HZ
LED Power Consumption: 100W
Power factor: >.90
LED Chip: Bridgelux
CCT: 2700k - 7000k (5000K standard)
Light output: 9000 lumen @ 5000K
Luminaire efficacy: 90%
L70 life: 50,000 hrs
Beam angle: 120 degrees
Housing material: Aluminum
Working temp: -40 ~ +55c
Comes with 50cm cUL listed cable
Weatherproof IP65
Warranty: 3-years



Use as indoor/outdoor floodlight, wallpack, landscape or workcell illumination etc. Fully weatherproof and resistant to vibration

Cost-effective, compact, reliable, lightweight and versatile