

AERORACK®

Flat Roof Mounting System

LIGHTWEIGHT - NON PENETRATING - EASY TO INSTALL

AERORACK is the aerodynamic solar mounting solution for weight challenged roofs. The lightweight design uses an inter-locking rail structure to create a self-ballasted, non-penetrating system that adds very little additional load to the roof.

AERORACK's unique EZ-Click system is engineered to save installers time with a straightforward, tool-free installation. The AeroRack rails act as an integrated cable management system, saving costs and providing maximum protection against the elements. The system's high-grade aluminum components and recycled roof protection mats ensure headache-free, long-lasting performance.



FLAT ROOFS



ZERO PENETRATIONS



ULTRA LIGHT



QUICK INSTALLATION



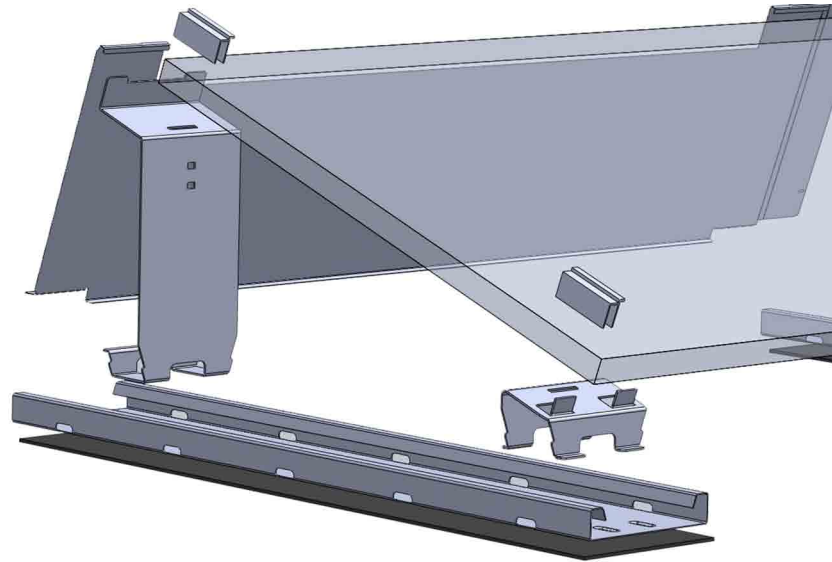
WIND TUNNEL TESTED

FEATURES

- Aerodynamic, hurricane-proven design minimizes ballast requirements and roof load
- Fast installation with **AERORACK**'s EZ-Click system: up to 1kW/man-hour
- Non-penetrating installation prevents damage to your roof
- Light, high-grade, corrosion-free aluminum components
- Easy panel mounting with self-grounding, click-in module clamps
- Optional recycled protection mats offer additional protection for the roof
- 10-year standard product warranty, extended warranty available

AERO RACK®

Flat Roof Mounting System



TECHNICAL SPECIFICATIONS

Total System Weight	2 - 5 lbs/ft ²
Inclinations	5° - 25°
Wind Speed	Up to 120mph for exposure B; 105mph for exposure C
Module Sizes	All standard 60 & 72 cell panels
Grounding Method	ETL certified grounding clamps, grounded only once per rail
Orientation	Landscape
Dimensions (LxWxH)	66" x 44" x 11-18" / 168 cm x 112 cm x 28-46 cm
Building Height	Up to 60' / 18.5 m (higher upon request)
Roof Type	All types of flat roofs
Roof Pitch	Up to 5°
Material	High-grade aluminum
Wind Tunnel Testing	Tested by RWDI - based on ASCE 7-05 and NBCC 2005 standards
Ballast Weight	Customizable to wind zone and exposure category
Module Spacing	Customizable between 47" - 83" / 1.20 m - 2.10 m (front to front)
Cable Management	Rails act as cable management system, optional rail covers available

